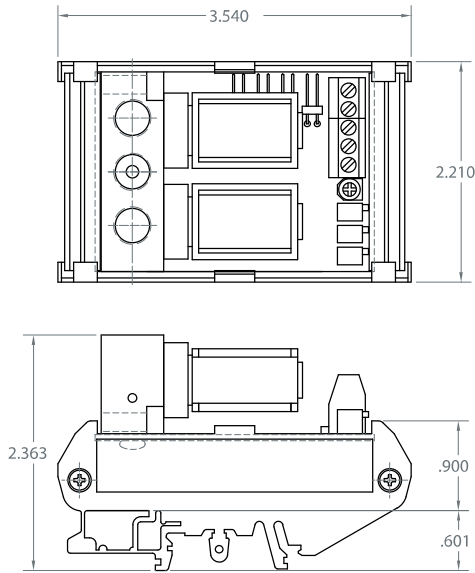


Dimensional Drawings

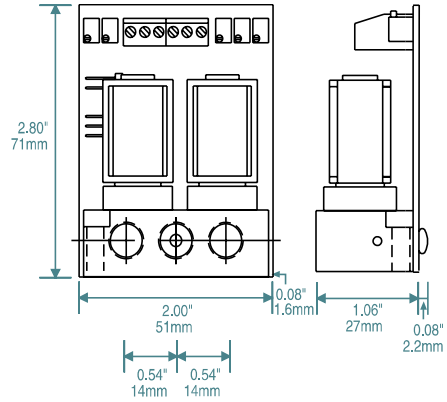
DIN Tray Mount

(3100, 3400)



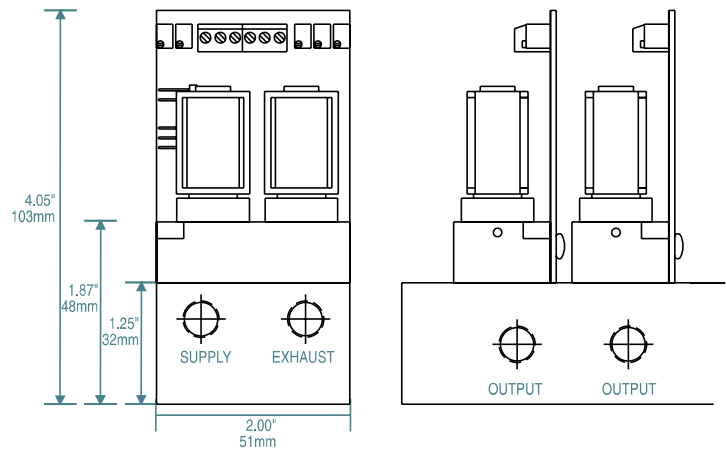
Panel Mount

(3100, 3400)



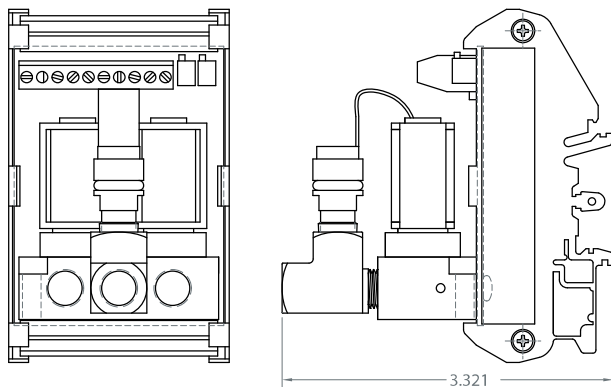
Manifold Mount

(3100, 3400)



High-Pressure Units (>150 PSIG) T3111, 3410 and 3420

High Pressure (>150 PSIG / 10.3 BAR) units



Flush Panel Mount T3100, T3111

