

P5300 Backpressure Regulator

The BelGAS^{CP} P5300 is a backpressure regulator with an integrally mounted pilot. Except where liquid or very low gas pressure is involved, upstream gas is used to operate this unit.

Applications

- Separators
- Heater Treaters
- Compressor Stations
- Gas Gathering Systems

Features

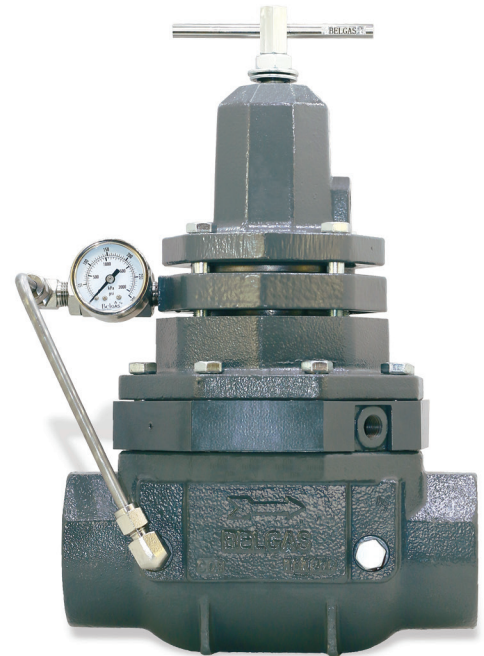
- NACE Construction: All BelGAS^{CP} P5300 backpressure regulators are built in accordance with the requirements of NACE MR0-175.
- Intermittent Acting Pilot
- Soft Seat Material for Bubble Tight Shut-off
- High Capacity

Materials of Construction

Part	Material
Bonnet	Ductile Iron
Upper Housing	Ductile Iron
Middle Housing	Ductile Iron
Lower Housing	Ductile Iron
Main Body	Ductile Iron
Upper Diaphragm	Polyurethane or Fluorocarbon
Middle Diaphragm	Nitrile or Fluorocarbon
Main Diaphragm	Nitrile or Fluorocarbon
Orifices	Stainless Steel
Tubing/Fittings	Stainless Steel

P5300 Part Number Matrix

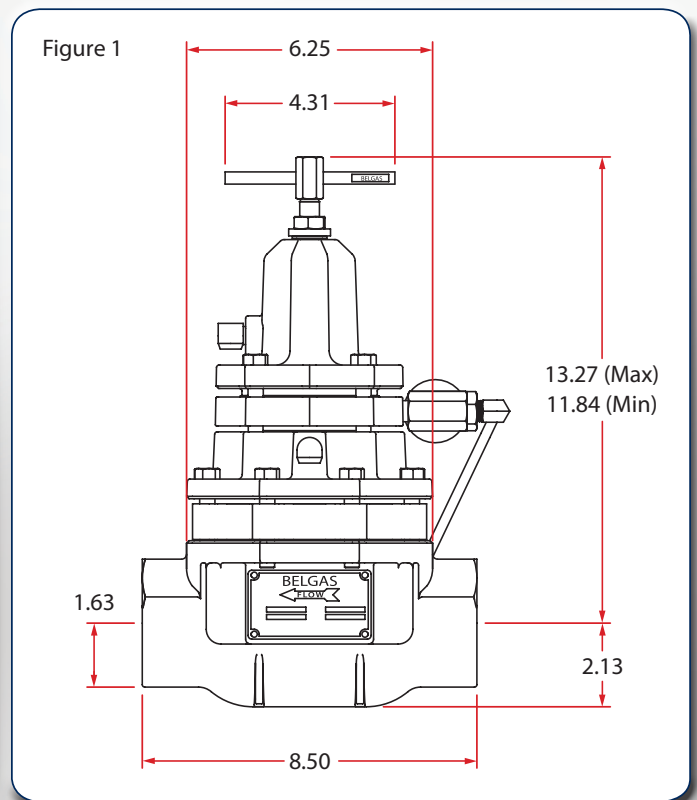
	P53	00	16	S	D	T	0		N	30
Style										
Backpressure Valve		00								
Body Size										
2"			16							
End Connection										
Female NPT				S						
Casing Material										
Ductile Iron					D					
Body Style										
Globe (180 degree)						T				
Seat Material - Elastomer Material										
Buna-N - Polyurethane								0		
Fluorocarbon - Polyurethane								2		
Construction										
NACE									N	
Pressure Range										
10-300 PSI										30



Specifications

Design Pressure		300 PSIG
Media		Gas and Air
End Connections		2" NPT
Temperature	Nitrile	-20 to 180°F (-28.9 to 82.2°C)
	Fluorocarbon	0 to 300°F (0 to 148.9°C)

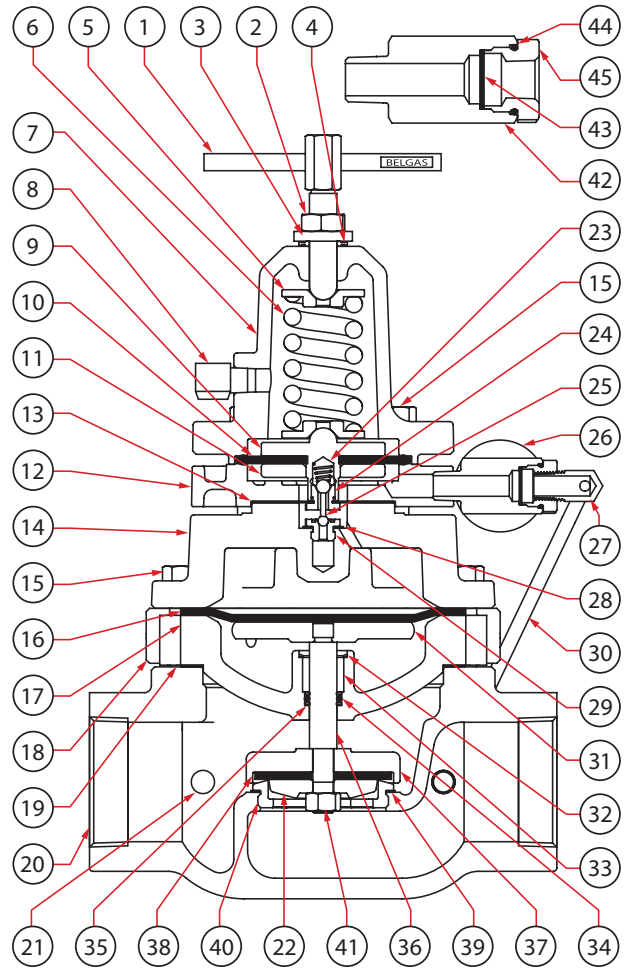
Dimensional Data (in.)



P5300 Parts List & Repair Kits

Item	Description	Qty.	Part Number
1	T-Handle Adjustment Screw Subassembly	1	803-077-000
2	Hex Jam Nut	1	634-185-001
3	Washer	1	662-236-003
4	Sealing Washer	1	662-245-000
5	Spring Plate	2	638-095-000
6	Main Spring 10-300 PSIG	1	655-797-000
7	Bonnet	1	604-278-000
8	Vent	3	836-004-000
9	Upper Diaphragm Plate	1	638-094-000
10	Upper Diaphragm	1	Polyurethane 618-115-000
			FKM 618-115-001
11	Diaphragm Nut	1	634-219-000
12	Upper Housing	1	629-261-000
13	Middle Diaphragm	1	Nitrile 618-114-000
			FKM 618-114-001
14	Middle Housing	1	629-262-000
15	Hex Cap Screw	12	648-467-012
16	Main Diaphragm	1	Nitrile 600-520-000
			FKM 600-520-001
17	Lower Housing	1	629-263-000
18	Housing Spacer	1	607-315-000
19	Body Gasket	1	624-116-000
20	2" NPT Iron Body	1	664-590-000
21	1/4" NPT Plug	1	639-099-000
22	Seat Retainer	1	643-227-000
23	Valve Spring	1	655-786-001
24	Pilot Seat	1	650-197-000
25	Pilot Plug	1	813-053-000
26	Pressure Gauge	1	GG15300C8SSM-001
27	Elbow Compression Fitting	2	622-079-001
28	Bleed Orifice Gasket	1	624-115-000
29	Bleed Orifice	1	688-077-001
30	Pilot Supply Tubing	1	660-236-000
31	Diaphragm Plate	1	638-096-000
32	Retaining Ring	1	693-036-000
33	Bushing	1	608-091-000
34	O-ring	1	Nitrile 649-000-150
			FKM 649-000-338
35	Backup Ring	2	649-347-000
36	Valve Stem	1	651-113-000
37	Seat Holder	1	650-206-000
38	Main Seat	1	Nitrile 649-346-000
			FKM 649-346-001
39	Orifice Gasket	1	624-117-000
40	Main Orifice	1	688-078-000
41	Locknut	1	634-220-000
42	Filter Body	1	664-591-000

Figure 2



Item	Description	Qty.	Part Number
43	Filter Screen	3	647-030-000
44	O-ring	1	Nitrile 649-000-008
			Fluorocarbon 649-000-211
45	Filter Cap	1	610-104-000

Elastomer Repair Kits		Qty.	Part Number
Repair Kit	Nitrile	1	971-P53-000
	Fluorocarbon		971-P53-001

Torque Table		
Item	Description	Torque (in. - lbs.)
15	Bonnet & Body Screws	100 (Bonnet) 145 (Body)
24	Pilot Seat	100
29	Bleed Orifice	100
41	Locknut	145



**Trusted.
Proven.
Better.**

8019 Ohio River Blvd.
Newell, WV 26050
Toll Free: 800-727-5646
sales@belgas.net
www.BelGASCP.com

2221 SE 69th Street
Oklahoma City, OK 73149
Toll Free: 800-833-3127