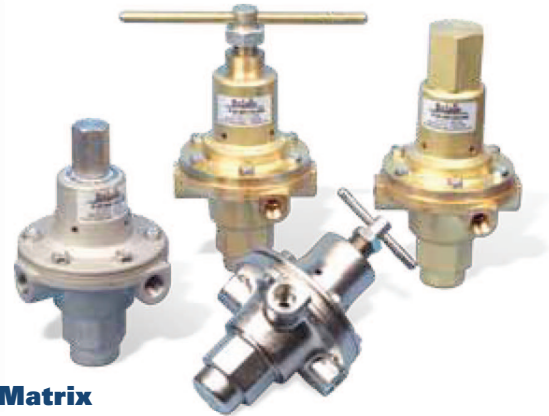


# P39 Special Build Gas Regulators

## Specials include these models:

- 500 PSI Outlet
- Dual Inlet Ports
- Nickel Plated and Stainless Steel
- Tapped Vent Models



## Applications

- First cut of high-pressure natural gas to control valve supply
- Natural gas instrumentation columns
- First cuts to any downstream, low flow application, such as catalytic heaters, valve actuators, pressure controllers and chemical injection pumps

## P39 Special Build Part Matrix

P03902							Spring Range	
	↑	↑	↑	↑	↑	↑		
<b>030</b>							0-30 PSIG	0-2.1 BAR
<b>060</b>							0-60 PSIG	0-4.1 BAR
<b>120</b>							0-120 PSIG	0-8.3 BAR
<b>150</b>							0-150 PSIG	0-10.3 BAR
<b>225</b>							0-225 PSIG	0-15.5 BAR
<b>500</b>							0-500 PSIG	0-34.5 BAR
							Versions	
<b>0</b>							Standard	
<b>3</b>							PED (for EU)	*Not available in Stainless Steel
<b>4</b>							ENVIRO-Cap* (Water Jacket)	
							Adjustment Method	
<b>0</b>							T-Bar	
<b>1</b>							Adjustment Screw (Allen Head) with Tamper Resistant Cover	
							Vent Options	
<b>0</b>							Standard Bonnet	*Not available in Brass or Nickel 500 PSIG units.
<b>1</b>							Tapped Vent Bonnet*	Tapped vent is standard on Stainless Steel 500 PSIG units.
							Seat Material	
<b>1</b>							Nylon	
<b>3</b>							Teflon (Brass units only)	*Nickel and Stainless Steel only
<b>4</b>							PTFE*	
							Port Configuration	
<b>0</b>							Standard	**Not available in Stainless Steel
<b>1</b>							Dual Inlet**	
							Casing Material	
<b>0</b>							Brass	
<b>1</b>							Electroless Nickel	
<b>2</b>							Stainless Steel	

## Materials of Construction

Brass Unit	
Body, Bonnet, Bottom Plug	Brass
Tamper Resistant Cover	Brass
Diaphragm	302 Stainless
Seals	TFE, Nitrile
Valve Spring	17-7 <sup>th</sup> Stainless Steel
Range Spring	Spring Steel, Chrome Silicon
Seat Material	Nylon or TFE
Nickel Plated Unit	
Body, Bonnet, Bottom Plug	Nickel Plated Brass
Tamper Resistant Cover	Nickel Plated Brass
Diaphragm	302 Stainless Steel
Seals	TFE, Nitrile
Valve Spring	17-7 <sup>th</sup> Stainless Steel (Nickel Plated)
Range Spring	Spring Steel or Chrome Silicon
Seat Material	Nylon or PTFE (316 SS Block)
Stainless Steel Unit	
Body, Bonnet, Bottom Plug	316 Stainless Steel
Tamper Resistant Cover	316 Stainless Steel
Diaphragm	Monel 400
Seals	TFE, Neoprene
Valve Spring	MP35N (UNS30035)
Range Spring	Spring Steel
Seat Material	Nylon or PTFE (316 SS block)

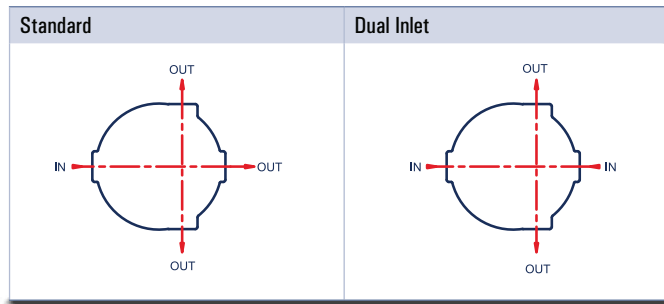
Only the P39SS Conforms to NACE MRO175



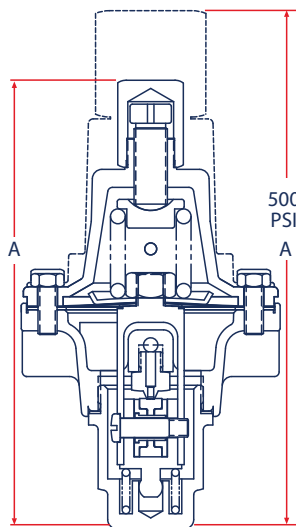
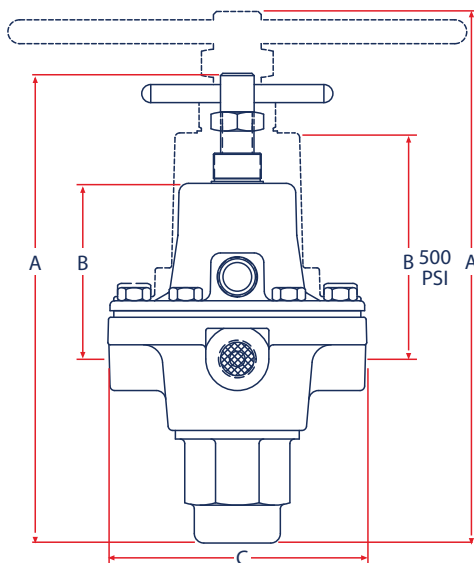
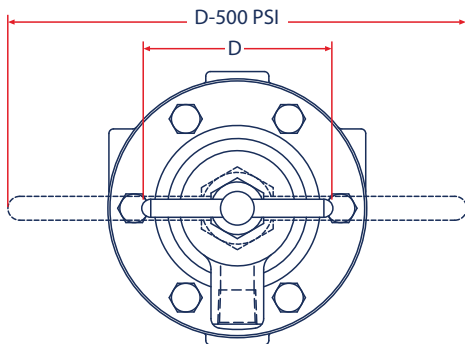
## Specifications

Inlet	1/4 NPT	
Outlet	1/4 NPT (3 Ports)	
Vent	4 holes (5/32" each) (STD)	
	1/4 NPT (Tapped Vent Option)	
Max Inlet	5500 PSIG, 379 BAR	
Orifice Size	5/64"	
Outlet Ranges		
	0 – 30 PSIG	2.1 BAR
	0 – 60 PSIG	4.1 BAR
	0 – 120 PSIG	8.3 BAR
	0 – 150 PSIG	10.3 BAR
	0 – 225 PSIG	15.5 BAR
	0 – 500 PSIG	34.5 BAR
Temp. Range	-40 °F to 225 °F	-46 °C to 106 °C
Weight Approximate		
Standard	3-1/4 lbs	1.46 kg
500 PSIG	3-3/4 lbs	1.69 kg

## Ports



## P39 Special Build Gas Dimensions



Dimensions Table		A	B	C	D
P39 w/T-Handle 0-30, 0-60, 0-120, 0-150, 0-225 PSIG range	mm	156	58	85	64
	inches	6.14	2.3	3.33	2.50
P39 w/Allen Head 0-30, 0-60, 0-120, 0-150, 0-225 PSIG range	mm	150	58	85	19
	inches	5.90	2.30	3.33	0.75
P39 w/T-Handle 0-500 PSIG range	mm	177	75	85	152
	inches	6.98	2.96	3.33	6.0
P39 w/Allen Head 0-500 PSIG range	mm	172	75	85	32
	inches	6.78	2.96	3.33	1.25