

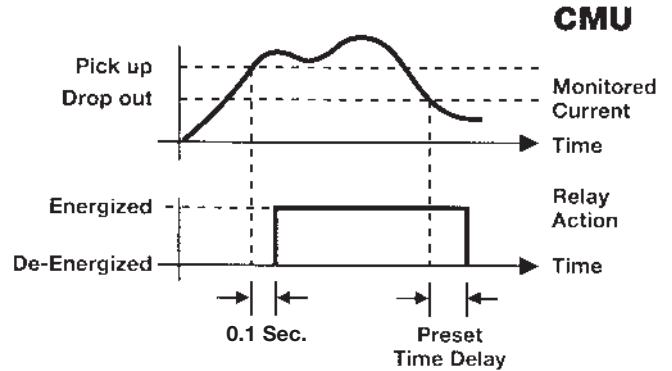


AC Under Current Monitor

OPERATION

The CMU Series is used to detect **under current** conditions. The internal relay is energized (Pick-up) when the monitored current is above the pre-set trip point. The relay de-energizes (Drop-out) when the current falls below the trip point for longer than the **adjustable delay**. The delay is incorporated to prevent nuisance tripping caused by momentary line dips. The relay re-energizes when the current rises 5% above the Drop-out trip point for longer than 0.1 seconds. The relay has the **automatic reset** feature.

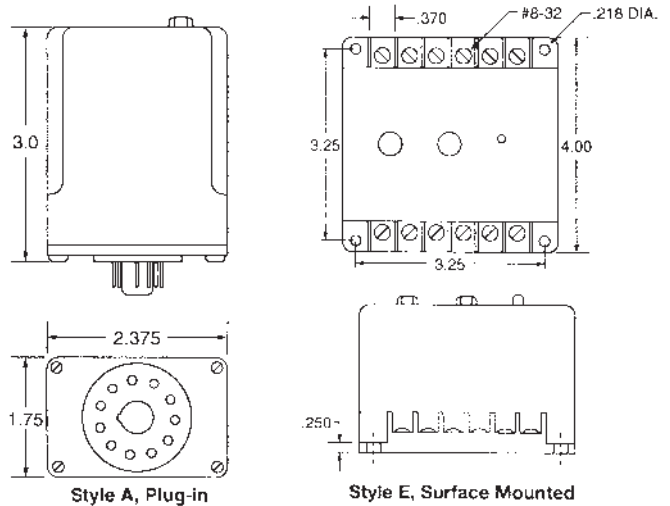
An external CT may be used to extend the range of the Current Monitor.



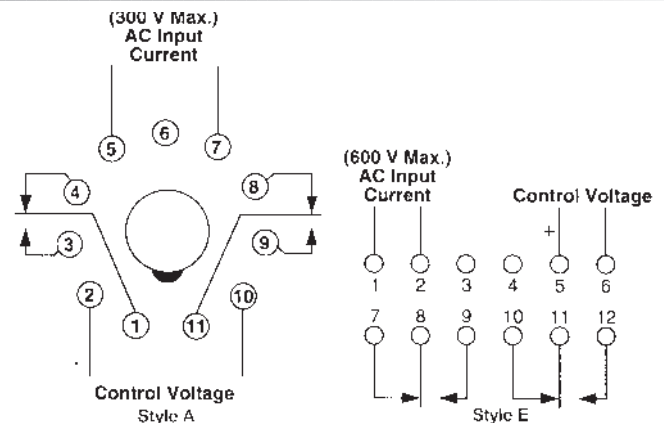
SPECIFICATIONS

CONTROL VOLTAGE	24 or 120 VAC/DC; 50/60 Hz	
TRIP POINTS	Pick-up	5% above Drop-out
	Drop-out	See order information
OUTPUT	DPDT, 10 Amp @ 120 VAC Resistive	
HYSTERESIS	5%	
RESPONSE TIME	Operate	0.1 SEC
	Release	0.1 to 5 SEC, Adjustable
INDICATORS	Glows When Current is Above Preset Current Trip Point (Style E Enclosure Only)	
RESET	Automatic	
TEMPERATURE RATING	Operate	32° to 131°F (0° to +55°C)
	Storage	-49° to 185°F (-45° to +85°C)
ENCLOSURE	Style A	Lexan Dust Cover; 11-Pin Plug-in
	Style E	Lexan Surface Mounted; #8-32 Screw Terminals
SOCKET	RB-11 Socket for Style A.	
WEIGHT	Style A	5 oz.
	Style E	10.5 oz.

DIMENSIONS (INCHES)



WIRING



MODEL NUMBER >>>>>>	CMU			S	
Control Voltage					
24 Volts	24				
120 Volts	120				
Type of Control Voltage					
	AC	A			
	DC	D			
Enclosure Style					
	Plug-In	A			
	Surface Mount	E			
Pick-Up Current Range					
0.05 to 0.25 amps. adj. max continuous	3.4 amps				.25
0.2 to 1 amps. adj. max continuous	11.9 amps				1
1.0 to 5.0 amps. adj. max continuous	13.4 amps				5
2.0 to 10 amps. adj. max continuous	25 amps				10
4.0 to 20 amps. adj. max continuous	25 amps				20