

# AIR FILTER /REGULATOR - VAYU™ MINIATURE



## SB10 (G 1/8, G 1/4)

### FEATURES

- I Shavo's VAYU™ Miniature Series Air Filter/Regulator combination unit saves money, saves space.
- I Aluminium Pressure Die Cast body powder - coated for longer life.
- I Wide choice of Secondary Pressures and filter element.
- I Also optional metal (non-transparent) bowl.



PARAMETERS	SPECIFICATIONS	
Pipe Threads	G 1/8, 1/4 Parallel (F)	- Standard
	BSPT <sub>r</sub> ./NPT	- Optional
Body Material	Aluminium Alloy die-cast	
Filter Element Size	5, 25, 40 micron.	
Filter Element Material	Plastic (Polypropylene)	- Standard
	Sintered Bronze	- Optional
Bowl Material	Transparent Polycarbonate	- Standard
	Metal Zinc diecast	- Optional
Maximum Inlet Pressure	with PC Bowl (Manual and Auto drain)	: 150 psig (10.5 bar)
	with Metal Bowl (Manual drain)	: 250 psig (17.5 bar)
	with Metal Bowl (Automatic drain)	: 150 psig (10.5 bar)
Max. Operating Temp. (ambient)	with PC Bowl	: 50°C
	with Metal Bowl	: 80°C
Drain	Manual - Standard	
	Automatic - Optional ( Available upto 10 bar pressure only and Nitrile elastomers only)	
Regulator Type	Relieving	- Standard
	Non-Relieving	- Optional
Pressure Adjustment Regulated	Non-rising plastic knob	
secondary outlet Pressure (spring range) and recommended Pressure gauge ranges available in psi (bar)	Spring Range	Gauge Range
	1-10 psi (0.07 - 0.7 bar)	0-35 psi (0 - 2.5 bar)
	3-30 psi (0.21 - 2.10 bar)	0-35 psi (0 - 2.5 bar)
	5-50 psi (0.35 - 3.50 bar)	0-60 psi (0 - 4 bar)
	10-100 psi (0.70 - 7.0 bar)	0-150 psi (0 - 10 bar)
	15-150 psi (1.00-10.0 bar)	0-220 psi (0 - 16 bar)
Std. Nominal flow rate at 10 bar(150 psi) inlet pressure 6 bar(87 psi) and drop of 1 bar(14.5 psi) from set.	1/8" - 18 scfm (8.4 dm <sup>3</sup> /sec) CV(0.33)	
	1/4" - 19 scfm (9.0 dm <sup>3</sup> /sec) CV(0.35)	
Gauge size	40 mm (dial size)	
Gauge Port size	Rc 1/8	
Gauge connection	Back	
Mounting Bracket	Optional	
Panel mounting	Standard - Available	

Pressure Gauge (scale) : Kg/cm<sup>2</sup> (PSI) - Standard (For Domestic Market)  
Bar (PSI) - Standard (Export)

+ Values indicated are with 40 micron elements, with finer elements these values will be lower.

Note: Pressure gauge will not have CE, EAC, SIL3 approval.  
Automatic drain and semi-automatic drain available with Nitrile elastomer only.

**SB10 (G 1/8, G 1/4)**

Size	Flow (scfm)	Element (um)	Drain	Bowl	Range	Operation	Model
G 1/8	18 scfm (8.4 dm <sup>3</sup> /sec)	40	Auto Manual	Transparent	10-100 psi	Relieving	SB10-1G-A2T-RNK-NN SB10-1G-M2T-RNK-NN
G 1/4	19 scfm (9.0 dm <sup>3</sup> /sec)	40	Auto Manual	Transparent	10-100 psi	Relieving	SB10-2G-A2T-RNK-NN SB10-2G-M2T-RNK-NN

**Option Selector**

Sample Model Number → **S B 1 0 - 2 B - M 2 T / R G K - N N N - X X X - X X X**

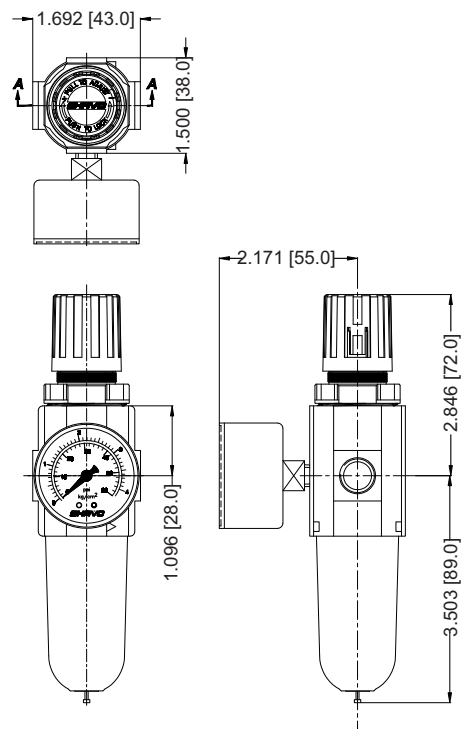
Position → **0 1 2 3 - 4 5 - 6 7 8 - 9 10 11 - 12 13 14 - 15 16 17 - 18 19 20**

- 0**                      S = Shavo
- 1** Product            B = Filter Cum Regulator Combination Unit
- 2 3** Series            10 = "VAYU" Miniature - 1/8" Basic
- 4** Size                 1 = 1/8"  
2 = 1/4"
- 5** Port Thread        

	Main Port	Gauge Port
A	NPT	BSPT
B	BSPT	BSPT
G	BSP	BSPT
N	NPT	NPT
- 6** Drain              M = Manual  
A = Automatic (Operates on Flow Change, available with Nitrile elastomer only)
- 7** Filter Element    

1	= 05 M Porous Plastic
2	= 25 M Porous Plastic
3	= 40 M Porous Plastic
6	= 05 M Sintered Bronze
7	= 25 M Sintered Bronze
8	= 40 M Sintered Bronze
- 8** Bowl                T = P.C. Bowl  
M = Metal Bowl without Sight Glass
- 9** Relief              R = Relieving  
N = Non Relieving
- 10** Gauge            N = No Gauge  
G = With Pr. Gauge (without any approval)
- 11** Sec. Pr. Range   

A	= 1 psi - 10 psi (0.07-0.70 bar)
C	= 3 psi - 30 psi (0.21-2.10 bar)
E	= 5 psi - 50 psi (0.35-3.50 bar)
K	= 10 psi - 100 psi (0.70-7.0 bar)
M	= 15 psi - 150 psi (1.0-10.0 bar)
- 12** Elastomers      N = Nitrile (Std)  
[E] = EPDM  
[V] = Viton  
[L] = Low temperature Nitrile (LNBR)
- 13** Mounting & Accessories    N = No Mtg Bracket  
B = Wall Bracket Fitted
- 14** Pr. Adjustment    X = Standard with knob  
[T] = T handle with aluminium bonnet  
[H] = Allen headed with aluminium bonnet



AIR FILTER/REGULATOR - VAYU MINIATURE™



SB10 (G 1/8, G 1/4)

15 16 17 Test / Approval

C	0	0	CE
C	0	1	UKCA
C	0	2	CE,UKCA
E	0	0	EAC
E	0	1	EAC, UKCA
S	0	0	SIL3
S	0	1	SIL3, UKCA
G	0	0	CE, EAC
G	0	1	CE, EAC, UKCA
H	0	0	CE, SIL3
H	0	1	CE, SIL3, UKCA
K	0	0	CE, EAC, SIL3
K	0	1	CE, EAC, SIL3, UKCA
X	X	X	Standard Units Without Any Certificatios / Approval
[O]	[0]	[0]	Other Customer Special Requirement if Any

18 19 20 Compliance

X	X	X	Standard Unit Without any Compliance
A	0	1	RoHS 3 Compliance
A	0	2	REACH Compliance
A	0	3	Copper Free (Only Applicable Aluminium Version)
A	0	4	RoHS3, REACH Compliance
A	0	5	RoHS3, REACH, Copper Free (Only Applicable for Aluminium Version)
A	0	6	RoHS3, Copper Free (Only Applicable for Aluminium Version)
A	0	7	REACH, Copper Free (Only Applicable for Aluminium Version)

Note : Option shown in [ ] bracket are special, Please contact Sales HQ / Manufacturing.